



HDM500, HDM500e

High-Definition MPEG-2 Decoders

User Guide

Table of Contents

Patent Notice	3
Features.....	4
HDM500 Block Diagram	6
Specifications	7
Accessories and Cables.....	8
Hardware Installation.....	9
Back Panel and Onboard Connectors.....	10
RS422 Connector	12
Audio Connector (DB15-HD).....	13
Installing the Device Drivers and the Stradis MPEG-2 Decoder Application	14
Driver Software License Agreement.....	15

Warning: This is a Class A product. In a domestic environment this product may cause radio interference in which case the user may be required to take adequate measures.

Copyright 2005 Stradis, Inc. Printed in U.S.A. Unless it was downloaded from the Stradis web site and printed somewhere else, in which case we have no idea where it was printed. 9/20/2007 10:43 AM

Trademarks: Microsoft, Windows, and Windows NT are registered trademarks of Microsoft Corporation. Pentium is a registered trademark of Intel. Stradis is a registered trademark of Stradis, Inc.

Because of technical progress, specifications are subject to change without notice

Patent Notice

Notice: Use of this product is expressly prohibited without a license under the following applicable patents.

For more information, contact: Baryn S. Futa
Manager and C.E.O.
MPEG LA, LCC
250 Steele Street, Suite 300
Denver, CO 80206

Phone: 1-303-331-1880
Fax: 1-303-331-1879
e-mail: bfuta@mpegla.com
U.R.L.: www.mpegla.com

This is the list of patents covered by the MPEG-2 Patent Portfolio License as of September 30, 1998.

Columbia University

US Re 35,093
CA 2,096,431-C
DE 0630157
FR 0630157
GB 0630157
JP 2,746,749

France Telecom (CNET)

US 4,796,087
DE 3767919
FR 2599577
GB 0248711
IT 0248711
SE 0248711
FI 86241

Fujitsu

US 5,235,618
CA 2,029,320
DE 69030056.5
FR 431319
GB 431319

General Instrument Corporation

US 4,394,774

US 4,698,672
DE P3789373.8
FR 0266049
GB 0266049
IT 0266049

US 5,068,724
AU 627421-B2
NO 179890-C
TW NI-52990

US 5,091,782
AT 139402-T1
AU 627684-B2
CA 2,038,043-C
DE 69120139-T2
DK 0451545 T3
ES 2088440-T3
FR 0451545
GB 0451545
GR 3020736
IT 0451545
NO 178419-C
NO 178420-C
TW NI-50643

US 5,093,720

Kokusai Denshin Denwa Co., Ltd.

JP 1,835,550

Matsushita

US 5,113,255
AU 612543-B2
CA 2,016,523-C
CH 397402
DE 69027710
ES 2091790
GB 397402
FR 397402
IT 397402
JP 1,949,701
JP 2,695,244
KR 63,477
NL 397402
SE 397402
US 5,223,949
US 5,412,430
JP 2,699,703
JP 2,684,941

Mitsubishi

US 4,954,892
CA 2,000,156-C
DE 68913508-T2
FR 382892
GB 382892
IT 382892
JP 2,100,607
KR 58,957
SE 382892
US 5,072,295
AU 625476-B2
CA 2,023,543-C
DE 69027820-T2
FI 98421-B
FR 414193
GB 414193
IT 414193
JP 2,128,624
NL 414193
KR 77,808
SE 414193
JP 1,869,940
JP 2,510,456

Philips

US 4,849,812
CN 1013425-B
DE 3871998-T2
FR 282135-B
GB 282135-B
IT 282135-B
JP 2,534,534-B2
KR 9700364-B1
TW 29492-B
US 4,901,075
AT 260748-B
CN 10619-B
DE 3750206-C0

FR 260748-B
GB 260748-B
IT 260748-B
NL 260748-B
SE 260748-B
TW 35350-B
US 5,021,879
DE 3855114-B
FR 290085-B
GB 290085-B
JP 2,630,809-B
US 5,027,206
AT E 1313335-B
AU 634173-B
BE 0359334-B
CH 0359334-B
CN 1018695-B
DE 68925011-B
ES 0359334-B
FR 92127-B
GB 0359334-B
GR 0359334-B
HK 96-1695-B
IT 0359334-B
US 5,128,758
MX 172405-B
US 5,179,442
US 5,333,135
US 5,606,539
AT E157830-B
BE 460751-B
DE 69127504-B
DK 460751-B
FR 460751-B
GB 460751-B
IT 460751-B
NL 460751-B
SE 460751-B
US 5,608,697

Samsung Electronics Co., Ltd.

US 5,654,706
KR 95,631

Scientific Atlanta

US 5,418,782
AU 683,134
US 5,420,866
AU 687844
US 5,457,701
AU 680,680

Sony

US 4,864,393
DE 3854171-T2
GB 2205710-B2
US 5,191,436
US 5,291,486
GB 2289194-B2
GB 2289195-B2

GB 2289196-B2
GB 2259229-B2
US 5,298,991
US 5,343,248
US 5,428,396
US 5,461,420
AU 672,812
US 5,481,553
AU 673244-B2
NZ 261907-B
TR 28436-B
TW 66605-B
US 5,510,840
US 5,539,466
AU 662548-B2
US 5,543,847
US 5,559,557
AU 669209-B2
US 5,666,461
AU 670,288
MY 109,945
TW 70,497
US 5,663,763
AU 667,970
JP 2,712,645

Toshiba Corporation

US 5,317,397
US 5,424,779
JP 2,755,851
US 5,467,136
JP 2,758,378
US 5,742,344

Victor Company Of Japan, Limited (JVC)

US Re 34,965
JP 2,530,217
JP 2,072,546
DE 69024235
DE 69030819
FR 379217-B
FR 572046-B
GB 379217-B
GB 572046-B
US Re 35,158
JP 2,137,325
DE 69012405
DE 69031045
FR 395440-B
FR 584840-B
GB 395440-B
GB 584840-B
NL 395440-B
NL 584840-B
US 5,175,618
DE 69123705
FR 484140-B
GB 484140-B
KR 94554

Features

With the HDM500(e) High-Definition MPEG-2 Decoder, your application can offer:

- Continuous, seamless back-to-back playback of multiple MPEG streams (which may be in different formats: Transport, Program, System or Elementary streams) in all popular ATSC-compliant formats including 1920x1080I, 1280x720P, 720x576P, 720x576I, 720x480P and 720x480I
- High-quality conversion of source video to selected display format. Lock the output to one format and all outputs will be in that format, regardless of the source format.
- Frame-accurate, synchronized playback across multiple decoders
- High-speed, random access and display of any I-Frame in an MPEG file for variable speed reverse and forward play, plus seamless switching to any I-frame of another stream
- PCR-based clock recovery for 24/7/365 real-time stream reception for continuous decoding of streams received from any common delivery mechanism, including satellite, LAN, and ATM networks
- Complete control over all HDM500(e) functions via the API for Microsoft Windows NT, Windows 2000, and Windows XP. Applications can access the API via a C interface or by using the `__stdcall` calling convention
- API compatibility with all Stradis SDM series standard-definition MPEG Decoders

Additional features for professional MPEG decoding and output:

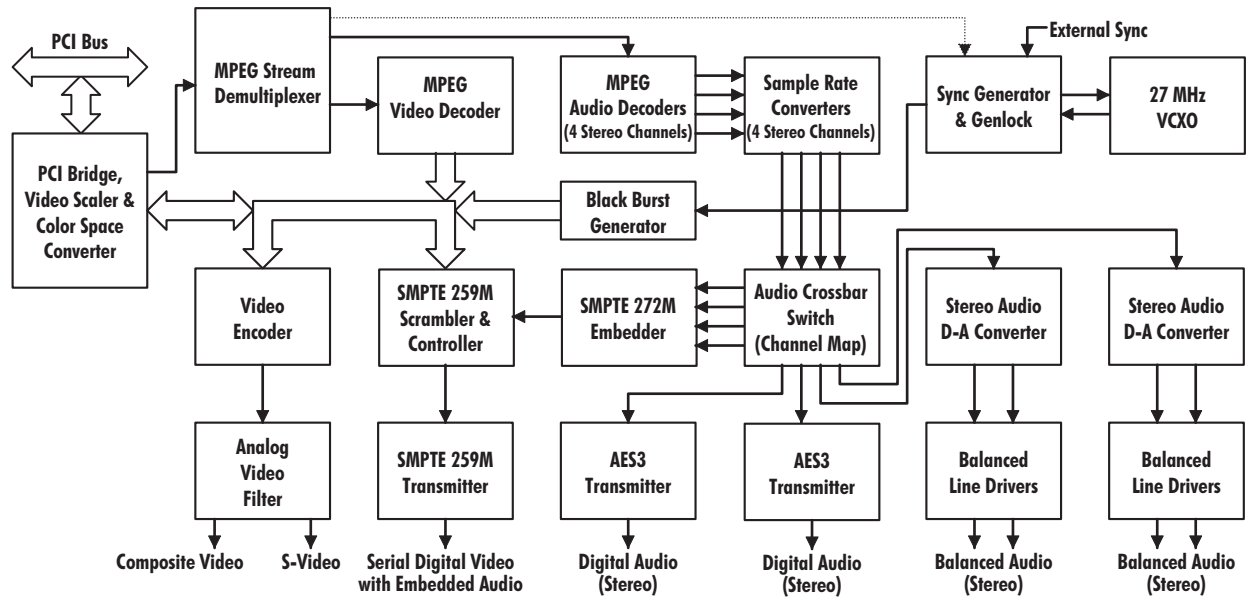
- Still picture display from bit-map files with transition effects and simultaneous audio playback for “slide shows”
- True-color graphics over video or still pictures with keying or indexed color with blending
- Digital control of video saturation, brightness, contrast, and gamma
- Genlock (external framelock synchronization) input
- Hardware Audio/Video synchronization
- High-Definition Serial Digital Interface (SMPTE 292M) video output with 12 channels of embedded audio
- 6 AES3 digital audio outputs, may be used as 12 discreet audio channels or 4 may be used as IEC 61937/SMPTE 337M-2000 digital audio outputs to Dolby Digital[®] (AC-3) or MPEG Multichannel[®] audio decoders
- One pair of unbalanced analog audio outputs for monitoring
- Machine Control via remote connector (9-Pin, RS-422A) can be configured as either “Controller” or “Device”
- Linear Time Code (LTC) output based on stream time codes or synthesized by the API

- Letterbox and pan-and-scan options for displaying 16:9 images on a 4:3 display
- Support for extraction of EIA 608 / EIA 708 closed captions with captions inserted into HD-SDI in accordance with SMPTE 334M
- API provides three interface levels: RateBuffer, Demux, and File Interface
- DirectShow® filters for compressed data input to the Stradis decoder
- SMPTE 302M-2002 support for uncompressed digital audio in the Transport, Program, and System streams
- Wave file playback and raw PCM audio playback
- Audio “voice-over” capability allows the application to replace the audio from the main multiplexed stream with another audio stream
- Virtual streams based on a single, repeated I-Frame that can be seamlessly played back-to-back with other MPEG streams
- Decryption function for file-based decryption using Stradis-supplied or user-definable algorithms
- Video capture interface for capturing decoded video output and placing it into PC memory
- Video image can be displayed on the computer’s VGA monitor in lower resolution to conserve PCI bus bandwidth

Stradis HDM500(e) Decoder Operation Highlights

- All decoding takes place in hardware
- 12-bit Video D/A, 2x oversampled
- Decodes MPEG audio (up to eight output channels) in parallel with MPEG video
- Supports SMPTE 302M-2002 uncompressed audio (up to 12 channels)
- IEC 61937/SMPTE 337M-2000 compressed digital audio output of AC-3 – ATSC A/52 on up to four AES3 outputs
- VCXO with clock recovery for streams received by satellite, LAN, ATM or any transport delivery mechanism
- Serial Digital Interface (SMPTE 292M or SMPTE259M-C) video output with up to 12 channels of embedded audio, plus DVI and analog RGB (or YpbPr) outputs

HDM500(e) Block Diagram



Specifications

MPEG Streams	ISO/IEC 13818 and ISO/IEC 11172 compliant. Accepts MPEG-2 Elementary, Packetized Elementary (PES), Transport and Program Streams and MPEG-1 System Streams.
MPEG Video	Decodes MP@HL (4:2:0) up to 80 Mbps.
Digital Bitstream Input	Through the PCI bus using bus mastering and burst transfer mode.
Digital Video Outputs	SMPTE 292M digital video output, with embedded audio. DVI (Digital Visual Interface) output via DVI-I Digital/Analog Connector
Analog Video Outputs	SMPTE 253M, 274M, 296M. RGB with sync-on-green, RGB with sync-on-all, YPbPr with sync-on-Y, YPbPr with sync-on-all, via DVI-I Digital/Analog Connector
Digital Audio Output	6 AES-3 outputs, 75 ohms, unbalanced (SMPTE 276M-1995), via DB15-HD connector, 4 may be configured as IEC 61937/SMPTE 337M-2000 Digital audio outputs
Analog Audio Output	1 pair unbalanced audio, via DB15-HD connector or MPC (CD-ROM style) header connector.
LTC	2V P-P, 1K ohm, BNC connector with optional SAC014
Machine Control	9-Pin, RS-422A can be configured as either "Controller" or "Device"
Genlock	Locks to the H-sync and V-sync, allows variable delay about the H-sync
On-Screen Display	Up to 24 bits per pixel or indexed color with blending.
Host System Requirements	Pentium-based PC with an available PCI short card slot conforming to specification revision 2.1 running Windows NT 4.0, or greater, with a VGA display adapter supporting Microsoft® Direct Draw mode. Disk transfer rate may limit the maximum sustained MPEG data rate achievable.
Power Requirements	3.3v (5 W typical), 5v (1.6 W typical), 12v (1.6 W typical), -12v (0.2 W typical)
Size	Standard PCI short card, 6.875 in. (174.63 mm) by 4.2 in. (106.68 mm), less connectors.
Regulatory Approvals	FCC Part 15, Class A. CISPR 22/EN55022, Class A. CISPR 22/EN55024 (98)

Accessories and Cables

SAC011	Unbalanced audio bracket
SAC012	Sync daisy chain cable
SAC014	Bracket with DB9 for RS422 Machine Control and BNC connector for LTC
SAC015	Audio Cable (DB15 to 6 BNCs for Digital Audio)
SAC017	PC bracket with 2 BNC connectors for sync input
SAC018	DVI-I to VGA Adapter
SAC019	Cable: DVI-A to 5 BNC 2 Meter
SAC020	DVI-I to DVI-D and VGA "Y" Adapter
SAC021	Audio Cable - for connecting a HDM500(e) HD Decoder to a sound card (60 cm)
SAC024	HDMI male to DVI male cable, 2 meter

See <http://www.stradis.com/hdaccessories.html> for more information



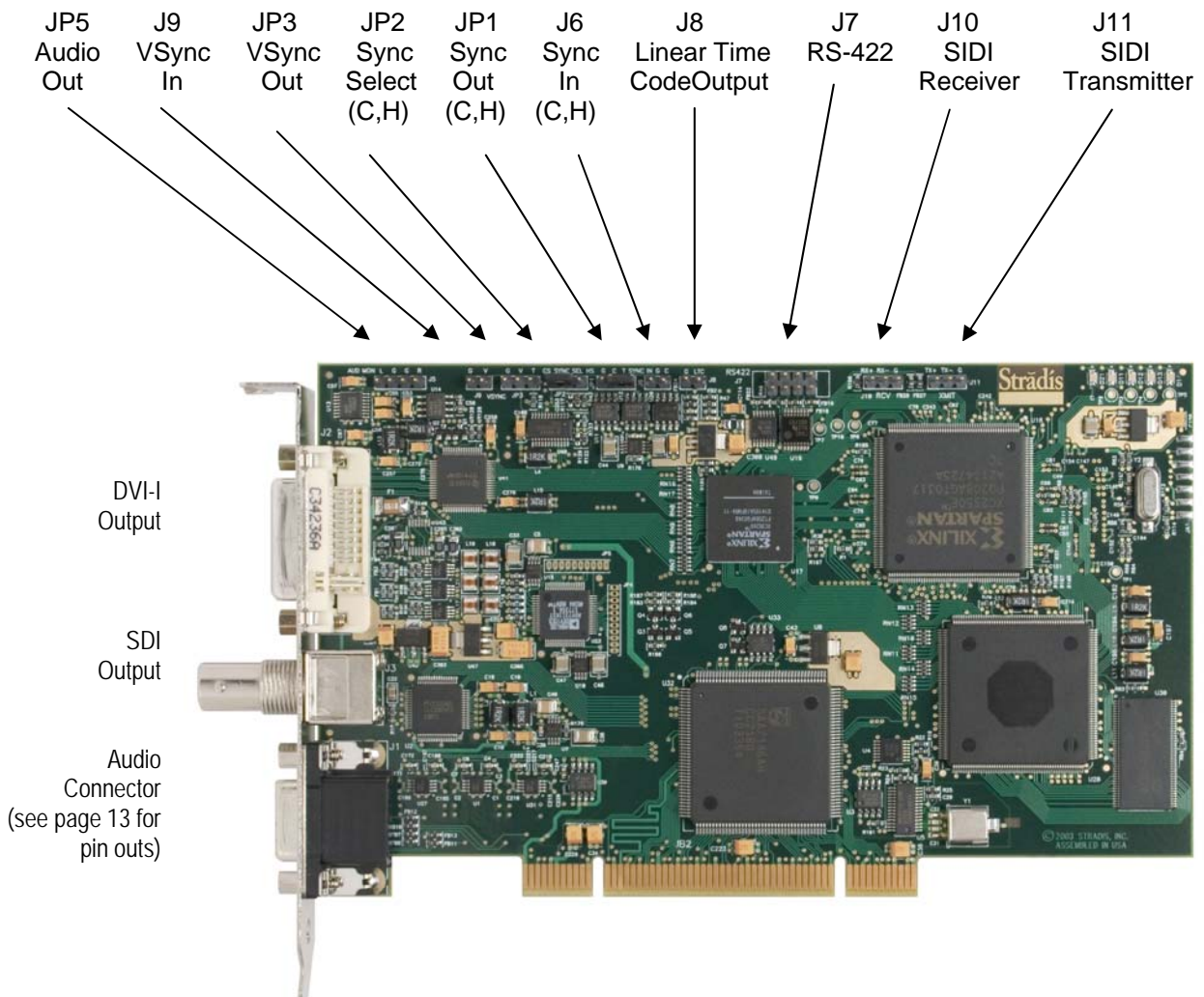
CAUTION

Observe all ESD precautions. Failure to do so could result in damage to the equipment.

Hardware Installation

1. Do not remove card from anti-static bag until you are ready to install it.
2. Turn off the power to the computer and any device connected to it such as a monitor, powered speakers, scanner, etc. Disconnect the power cord from the wall or uninterruptible power supply.
3. Touch a metal surface on the computer to ground yourself and to discharge any static electricity.
4. Remove the computer's cover.
5. Locate an unused PCI expansion slot.
6. Remove the metal cover from the back of the computer adjacent to the slot to be used. Do not lose the screw.
7. Holding the Stradis HDM500(e) Card by the metal bracket, align it with the PCI slot and press it down into the connector. Avoid touching the board's edge connector. The card must be completely seated into the connector.
10. Secure the Decoder Card into the expansion slot by replacing the screw removed in step 6.
11. Replace the computer's cover and reconnect the power cables.
12. Proceed to "Installing the Device Drivers."

Back Panel and Onboard Connectors



JP2 is used to select composite vs. H sync. If JP2 is selected to composite then JP1 and JP6 are used for composite sync out and composite sync in, respectively. Otherwise, JP1 and JP6 are used for H sync out and H sync in, respectively. All the sync pairs work the same with the terminators. For example, in composite mode, JP1 and J6 are used for sync-in or sync pass-through. JP1 can switch a 75-ohm terminator in or out. If you have multiple boards in one PC chassis that you wish to genlock to an outside sync source, set JP1 to Hi-Z by removing the jumper factory installed between "C" and "T" on the first board. (You may wish to leave the jumper plugged into "T" only so that it will be available for future use.) Using a SAC012 "Sync daisy chain cable" plugged into JP1 ("G" is Ground & "C" is Sync), you can then feed sync to the subsequent boards, J6. Leave JP1 set to 75 Ohms on the last board.

J5 can be used to feed audio into a PC sound card. It is an unbalanced output.

J7 is for RS-422 machine control. Connect it to the Stradis SAC014 or your own connector. To use the HDM500(e) as a "Device" install the cable with the red (pin 1) line

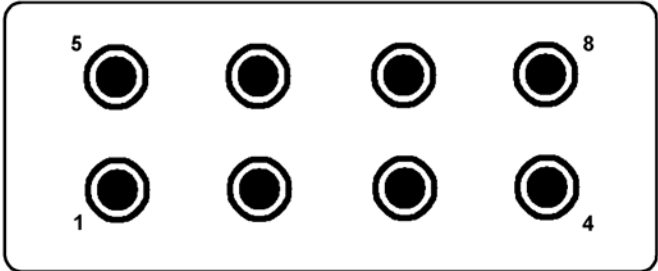
to the right side of the board. To use the HDM500(e) as a “Controller” install the cable with the red (pin 1) line to the left.

J8 is the Linear Time Code output. Use a Stradis SAC014 or your own connector.

Important: ground is to the left.

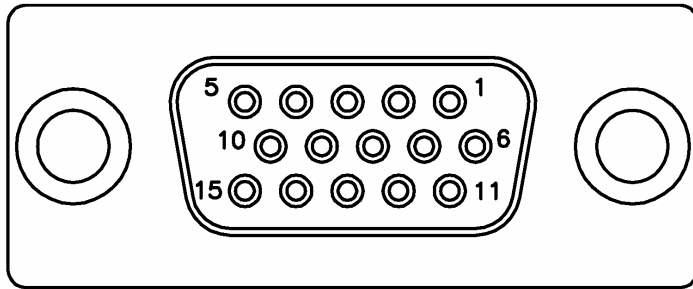
J10 and J11 are the transmitter and receiver components of the Stradis InterDevice Interface (SIDI) and can be used to sync boards together using a proprietary standard. Future support will be added to cards to communicate with each other for synchronization class to run between cards, and over several chassis.

RS422 Connector



- PIN 1 Ground
- PIN 2 RCV -
- PIN 3 XMT +
- PIN 4 Ground
- PIN 5 Ground
- PIN 6 RCV +
- PIN 7 XMT -
- PIN 8 Ground

Audio Connector (DB15-HD)



PIN 1	Digital Audio Output 1
PIN 2	Digital Audio Output 3
PIN 3	Digital Audio Output 5
PIN 4	No connection
PIN 5	Analog Audio Output Right
PIN 6	Digital Ground
PIN 7	Digital Ground
PIN 8	Digital Ground
PIN 9	No connection
PIN 10	Analog Ground
PIN 11	Digital Audio Output 2
PIN 12	Digital Audio Output 4
PIN 13	Digital Audio Output 6
PIN 14	No connection
PIN 15	Analog Audio Output Left

Installing the Device Drivers and the Stradis MPEG-2 Decoder Application

The Stradis MPEG-2 File Player Application (SMPEGDEC.EXE) is provided for testing and evaluation purposes only. If your Stradis decoder is part of a third-party system, follow the installation instructions provided by your system provider. DO NOT FOLLOW THESE INSTRUCTIONS. Doing so may render the third-party software inoperative.

1. Stradis Decoder Drivers are available at our website: <http://www.stradis.com>. (Please note that the HDM500e requires version 1.68 or later.)
2. Download the appropriate driver installers.
3. It is strongly recommended for correct installation of the hardware and associated driver, that you reboot the computer and run no other program before using the setup program.
4. Access Device Manager by right clicking on My Computer, go down the context menu to Properties, and then select the Hardware tab. Click the "Driver Signature" button. You must set "File Signature Verification" to either "Warn" or "Ignore."
5. Run the installer program.
6. Enter the following install password if prompted. The password is case-sensitive: mpeg4u
7. Follow the instructions on the screen to complete the installation.
8. If you are installing this software release on a system that had a Stradis device driver version 0.95 or earlier installed, the installation program will ask you to manually remove it using Device Manager. Expand the "Sound and Video Controller" section, select "Stradis Professional MPEG-2 Decoder," and right click and select "Uninstall."

Note: If you are asked by the installation software to remove an old driver, it is very important that you do so before rebooting. Not doing so could cause the installation to become confused and will require manually removing a number of files.

9. Reboot the computer. Windows "Plug and Play" will now load the drivers automatically. If you set "Driver Signature" to "Warn" you will be warned that Microsoft has not digitally signed the Stradis Driver. Click "OK" to complete the installation.
10. Proceed to SMpegDec User Guide.

Driver Software License Agreement

STRADIS, INC.

PLEASE READ THIS SOFTWARE LICENSE AGREEMENT CAREFULLY. BY CLICKING THE "ACCEPT" BUTTON OR DOWNLOADING, INSTALLING, OR USING THE SOFTWARE YOU INDICATE ACCEPTANCE OF AND AGREEMENT TO THE TERMS AND CONDITIONS OF THIS AGREEMENT. IF YOU DO NOT AGREE TO THESE TERMS AND CONDITIONS, CLICK THE DO NOT ACCEPT BUTTON AND DO NOT DOWNLOAD, INSTALL, OR USE THE SOFTWARE.

IF THE SOFTWARE WAS PRE-INSTALLED ON YOUR ELECTRONIC DEVICE OR CAME ON MEDIA PACKAGED WITH YOUR ELECTRONIC DEVICE AT NO EXTRA CHARGE, AND IF YOU DO NOT AGREE WITH THIS AGREEMENT, DO NOT USE THE SOFTWARE.

This agreement (the "Agreement") is made between Stradis, Inc., ("Stradis") and the owner and each end user ("Licensee") of the computer, processor, chip, or similar device (the "Electronic Device") into which the Software is downloaded, installed, and/or accessed online or through a network. This Agreement applies to Stradis drivers, DLL files, application programs, and utility programs, including without limitation, the computer programs known as SmpegDec.EXE, StradisDecoder.DLL, Stradnt.sys, Stradwd.sys, StradWD.inf, SVidmon.exe, Stradis.ax, StradisDecoderU.DLL, any updates and maintenance releases thereto, and replacements therefore, and the supporting documentation and materials (collectively, the "Software") obtained from the manufacturer of the Electronic Device ("Manufacturer") or from Stradis on Media or by download from the Manufacturer web site or the Stradis web site www.Stradis.com. This Agreement shall be effective on the date of the first to occur of the date (a) of delivery of the Electronic Device with the Software pre-loaded, (b) that Media containing the Software is delivered to Licensee, (c) the Software is downloaded to Media or the Electronic Device or (d) the date the Software is first accessed by an Electronic Device in the possession of Licensee (the "Effective Date"). As used in this Agreement, "Media" means a compact disc and any other object which can record information in a form that can be transferred into an Electronic Device.

LICENSE

Subject to the terms and conditions of this Agreement, the Software is licensed, not sold, to Licensee by Stradis. Stradis grants Licensee the limited non-exclusive right to Use a single copy of the Software on a single Electronic Device. Licensee may make one copy (in machine-readable form only) of the Software licensed hereunder solely for backup or disaster recovery purposes. "Use" shall mean Licensee may use, access, run, or otherwise interact with the Software on a single Electronic Device, for Licensee's own business use and not as a service for other third parties, in accordance with the applicable documentation.

OWNERSHIP RIGHTS

Stradis reserves any rights not expressly granted to Licensee and retains title and full ownership rights under the copyright laws of the United States or any other jurisdiction or under any federal, state, or foreign laws. Stradis is not obligated to provide and Licensee acquires no right of any kind with respect to any source code for the Software.

RESTRICTIONS

Licensee agrees that it has no right whatsoever to modify the Software or any portion thereof in any manner. Licensee shall not, nor permit any third party to, reverse engineer, decompile, disassemble, or otherwise reduce the Software to any humanly perceivable form. Licensee may not modify, adapt, translate, rent, or sublicense (including offering the Software to third parties on an applications service provider or time-sharing basis), assign, give away, loan, resell for profit, or distribute the Software, the Media, or related materials or create derivative works based upon the Software or any part thereof. Licensee may not access the Software loaded on one Electronic Device from another Electronic Device through a network or other means. Except for one copy to be used solely for backup or disaster recovery purposes, Licensee may not copy the Software in whole or in part, or use trade secret information contained in the Software, to develop computer programs that interface or interact with the Software.

CONFIDENTIALITY

"Confidential Information" shall be defined to include Software, source code, object code, and any proprietary tools, proprietary knowledge or proprietary methodologies disclosed by Stradis to Licensee under or relating to this Agreement. Licensee shall observe complete confidentiality with respect to the Confidential Information, and shall use its best efforts and take all reasonable steps to protect the Confidential Information from any use, reproduction, publication, disclosure, or distribution except as specifically authorized by this Agreement. Licensee shall promptly notify Stradis of any known unauthorized use or disclosure of the Confidential Information and will cooperate with Stradis in any litigation brought by Stradis against third parties to protect its proprietary rights.

WARRANTIES

THE SOFTWARE IS PROVIDED TO LICENSEE IN "AS-IS" CONDITION WITH NO WARRANTY. STRADIS DISCLAIMS ALL REPRESENTATIONS AND WARRANTIES, EXPRESS OR IMPLIED, REGARDING THE SOFTWARE, MEDIA, RELATED MATERIALS, SERVICES, AND CONTENT, INCLUDING ANY REPRESENTATION AND WARRANTY OF QUALITY OR SECURITY, AND THE IMPLIED WARRANTIES OF FITNESS FOR A PARTICULAR PURPOSE, MERCHANTABILITY, AND NONINFRINGEMENT. STRADIS DOES NOT WARRANT THAT THE SOFTWARE OR ANY RELATED SERVICES OR CONTENT IS FREE FROM BUGS, VIRUSES, ERRORS, OR OTHER PROGRAM LIMITATIONS. IF LICENSEE IS A RESIDENT OF A STATE THAT DOES NOT ALLOW THE EXCLUSION OF IMPLIED WARRANTIES, THE ABOVE EXCLUSIONS DO NOT APPLY, AND THE IMPLIED WARRANTIES ARE LIMITED IN DURATION TO SIXTY (60) DAYS FROM THE EFFECTIVE DATE. IF LICENSEE IS A RESIDENT OF A STATE THAT DOES NOT ALLOW LIMITATIONS ON HOW LONG AN IMPLIED WARRANTY LASTS, THE ABOVE LIMITATION DOES NOT APPLY. THIS WARRANTY MAY GIVE LICENSEE SPECIFIC LEGAL RIGHTS WHICH VARY FROM JURISDICTION TO JURISDICTION.

STRADIS DOES NOT WARRANT ACCESS TO THE INTERNET OR TO ANY SERVICE OR CONTENT THROUGH THE SOFTWARE OR CONTINUED ACCESS TO THE TRIAL VERSION OF THE SOFTWARE OR TO THE DATA ENTERED INTO THE TRIAL VERSION OF THE SOFTWARE AFTER THE SPECIFIED NUMBER OF ALLOWED USES.

LIMITATION OF LIABILITY

IN NO EVENT WILL STRADIS, ITS SUBSIDIARIES, OR LICENSORS, OR ANY OF THE DIRECTORS, OFFICERS, EMPLOYEES, OR AFFILIATES OF ANY OF THE FOREGOING BE LIABLE TO LICENSEE UNDER ANY CONTRACT, NEGLIGENCE, STRICT LIABILITY, PRODUCT LIABILITY, OR OTHER LEGAL OR EQUITABLE THEORY FOR ANY CONSEQUENTIAL, INCIDENTAL, INDIRECT, OR SPECIAL DAMAGES WHATSOEVER (INCLUDING, BUT NOT LIMITED TO, DAMAGES FOR LOSS OF BUSINESS PROFITS, BUSINESS INTERRUPTION, LOSS OF BUSINESS INFORMATION, AND THE LIKE), WHETHER FORESEEABLE OR UNFORESEEABLE, OR FOR COST OF PROCUREMENT OF SUBSTITUTE GOODS, TECHNOLOGY, OR SERVICES, REGARDLESS OF THE BASIS OF THE CLAIM AND EVEN IF STRADIS OR A REPRESENTATIVE OF STRADIS HAS BEEN ADVISED OF THE POSSIBILITY OF SUCH DAMAGE AND EVEN IF A REMEDY SET FORTH HEREIN IS FOUND TO HAVE FAILED OF ITS ESSENTIAL PURPOSE. STRADIS'S CUMULATIVE LIABILITY FOR DAMAGES FOR ANY CAUSE WHATSOEVER, AND REGARDLESS OF THE FORM OF THE ACTION, WILL BE LIMITED TO THE AMOUNT OF MONEY PAID TO STRADIS FOR THE PURCHASE OF THE LICENSE OF THE SOFTWARE THAT CAUSED THE DAMAGES. SOME JURISDICTIONS PROHIBIT THE EXCLUSION OR LIMITATION OF LIABILITY FOR CONSEQUENTIAL OF INCIDENTAL DAMAGES. ACCORDINGLY, THE LIMITATIONS AND EXCLUSIONS SET FORTH ABOVE MAY NOT APPLY TO LICENSEE. THE LIMITATIONS OF DAMAGES SET FORTH ABOVE ARE FUNDAMENTAL ELEMENTS OF THE BASIS OF THE BARGAIN BETWEEN STRADIS AND LICENSEE. STRADIS WOULD NOT HAVE PROVIDED THE SOFTWARE WITHOUT SUCH LIMITATIONS.

TERMINATION

Licensee may terminate this Agreement and the License granted hereunder by giving Stradis thirty (30) days prior written notice.

Stradis may terminate this Agreement and the License granted hereunder immediately without notice if: (a) Licensee fails to comply with any term or condition of this Agreement or (b) Licensee shall become insolvent or shall make an assignment for the benefit of its creditors or there shall be filed by or against Licensee any bankruptcy, receivership, reorganization, or other like proceeding under any present or future debtor relief law. No portion of the fees paid to Stradis for Software shall be returnable or refundable upon termination of this Agreement, whether such termination is by Licensee or by Stradis. Upon any termination of this Agreement, Licensee must immediately cease all use of the Software and immediately destroy all complete and partial copies of the Software, including all backup copies. Licensee shall certify to Stradis in writing that it has complied with the preceding sentence.

EXPORT RESTRICTIONS

Licensee acknowledges and agrees that the Software is subject to restrictions and controls imposed by the Export Administration Act and the Export Administration Regulations (the "Acts"). Licensee agrees and certifies that neither the Software nor any direct product thereof is being or will be used for any purpose prohibited by the Acts. Licensee agrees and certifies that Licensee is not a citizen or permanent resident of Cuba, Iran, Iraq, North Korea, Libya, Sudan or Syria.

U.S. GOVERNMENT

The Software is a "commercial item," as that term is defined at 48 C.F.R. 2.101 (OCT 1995), consisting of "commercial computer software" and "commercial computer software documentation," as such terms are used in 48 C.F.R. 12.212 (SEPT 1995) and the Department of Defense Federal Acquisition Regulations Sections 252.227-7014 (a) (1), (5). Consistent with 48 C.F.R. 12.212 and 48 C.F.R. 227-7202-1 through 227-7202-4 (JUNE 1995), all U.S. Government End Users acquire the Software (or Licensed Product) with only those rights set forth herein. Stradis Inc., Stradis, Inc., 1800 Century Blvd NE Suite 1225, Atlanta, GA 30345-3218 U.S.A..

GENERAL PROVISIONS

Assignment. Licensee may not assign or transfer its rights and obligations under this Agreement without registration with Stradis and, unless the transfer is registered with Stradis, any purported assignment or transfer shall be null and void.

No Waiver. Any failure by either party to detect, protest, or remedy any breach of this Agreement shall not constitute a waiver or impairment of any such term or condition, or the right of such party at any time to avail itself of such remedies as it may have for any breach or breaches of such term or condition. A waiver may only occur pursuant to the prior written express permission of an authorized officer of the other party.

Severability. If any provision hereof is declared invalid by a court of competent jurisdiction, such provision shall be ineffective only to the extent of such invalidity, so that the remainder of that provision and all remaining provisions of this Agreement will continue in full force and effect.

Headings. Headings used in this Agreement are for convenience only and shall not be considered in construing or interpreting this Agreement.

Governing Law. The validity and performance of this Agreement shall be governed by Georgia law (without reference to choice of law principles), except as to copyright and trademark matters, which are covered by federal laws. This Agreement is deemed entered into at Atlanta, Georgia, and shall be construed as to its fair meaning and not strictly for or against either party. This Agreement does not limit any rights that Stradis may have under trade secret, copyright, patent, or other laws. The parties expressly exclude all application of the United Nations Convention on the International Sale of Goods to this Agreement. In any suit, arbitration, mediation, or other proceeding to enforce any right or remedy under this Agreement or to interpret any provision of this Agreement, the prevailing party will be entitled to recover its costs, including reasonable attorneys' fees, and all costs and fees incurred on appeal or in a bankruptcy or similar action.

Entire Agreement. This Agreement constitutes the final, complete, and exclusive statement of the agreement between the parties in respect of the subject matter hereof. This Agreement shall govern any services related to the Software, unless such services or content are subject to a separate written agreement between Licensee and Stradis. However, the limitations of liability and disclaimer of warranties in this Agreement shall apply to Stradis with respect to such services except to the extent provided otherwise in a separate written agreement approved by Stradis between Licensee and Stradis.